



LED Strobe
USER MANUAL



ST-401



CATALOG

1. Safety Warning	1
2. Technical Specification	4
3. Hanger Installation.....	5
4. Dimension.....	5
5. Channel function.....	6
6. Technical Specification	9

1. Safety Warning

Warning : This product is only for professional use, not for domestic use!



ST-401 Causes of injury or severe trauma may be caused by light, heat, collision, ultraviolet or falling.

Important statements

Every person involved with the installation, operation and maintenance of this device has to know:

- 1) This product must be installed by a qualified professional.
- 2) This product left the place of manufacture in perfect condition. In order to maintain this condition and for safe operation, the user must always follow the instructions and safety warnings described in this user manual.
- 3) Manufacturer will not with responsibility for those operations not according to this Instruction.
- 4) Do not connect power cable of other electric products with this unit.
- 5) Do not connect DMX512 Signal cable of other electric products with this unit.
- 6) Always make sure that you are connecting to the proper voltage, and that the line voltage you are connecting to is not higher than that stated on the decal or rear panel of the fixture.
- 7) Always ground (earth) the fixture electrically.
- 8) During long periods of non-use, disconnect the unit' s main power.
- 9) Do not place the lamp in a damp place.
- 10) Lamp damage or life expires, to replace the lamp in time. Before replacing the lamp or fuse, turn off the power for 1 minute.
- 11) Before opening the lamp or servicing it, make sure that the power is disconnected and wait about fifteen minutes until the fixture is complete
- 12) cool down.
- 13) Do not bypass the fuse, replace the broken fuse, the fuse must be the same size fuse.

- 14) Make sure the power cord is not curled or broken by sharp objects.
- 15) Always check the equipment and power cord.
- 16) Do not use the lamps and lanterns when the lightning strikes, and disconnect the power,
- 17) Do not open the back cover, there is no available accessories
- 18) Maximum operating ambient temperature 40 ° C (104 ° F). Do not use the lamp when the glass front cover is open or damaged.
- 19) Where to use lamps must be well ventilated. Do not look directly at the light source, because sensitive people may cause epilepsy (especially for patients with epilepsy).
- 20) Please do not use the staircase near the use of the need to inform the strobe light is to make use of its harmful.
- 21) Make sure there are no items in the range of 1 M (39 in.) Of the lamp. No permissible items (such as cloth, wood, paper, etc.) in the range of 0.5M (20 inches) are allowed to reach a maximum temperature of 120 ° C (248 ° F), allow the lamp to cool for at least 15 minutes before touching the lamp.
- 22) Lamps can not be covered by objects within 0.3 meters. When the lamp hanging on top of the ground, you must verify that the above can withstand 10 times the weight of the device hanging. To ensure that the external protection, rope, hardware safe and secure, and then use one or more protective measures to be protected.

Installation:

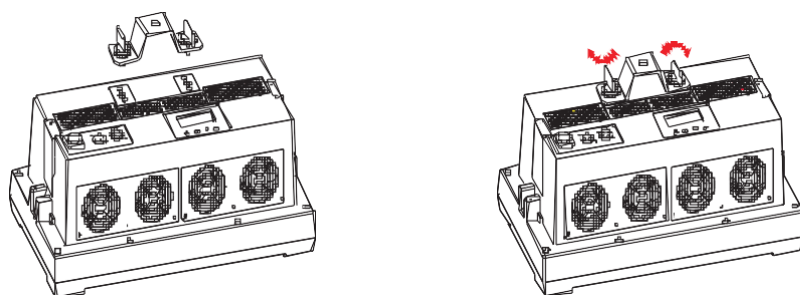
WARNING: Please read the safety instructions carefully before installation

1. Put the light hook on the hole of the lamp handle.
2. Install the light hook with light on the truss and lock it.
3. Use safety rope to hold the lamp and and truss to prevent the lamp from falling.
4. The handle on both sides of the handle nut nuts loose, transferred to the ideal angle, and then tighten.
5. Connect the power cord and the signal cable

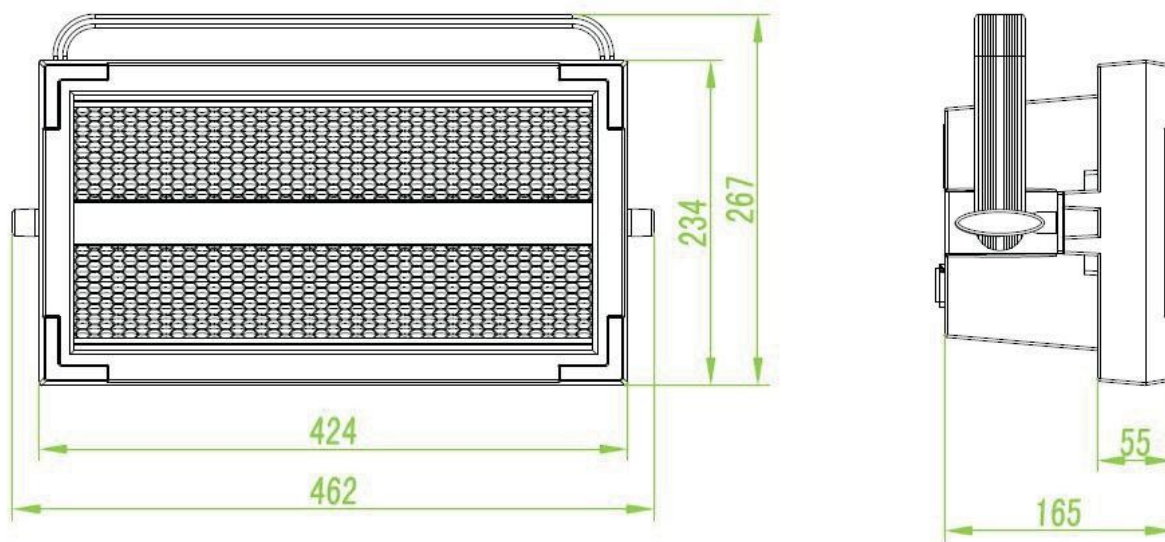
5、 Technical Specification

1. Power supply: AC110 -24 0V
2. Power consumption: 1000 -20 00W
3. LED: 228 PCS white
+64RGB
4. luminous flux : > 200000LM
5. optics: Forward
luminescent lens + reflector
6. Beam angle: 90X140 °
7. Channel Mode: 3/4/14/18
8. Protocols: DMX/RDM
9. Protection rating: IP 20
10. Fixture dimensions: 425X245X240mm
11. Net Weight: 6.7k g

2. Hanger Installation



3. Dimension



4. Menu

Main Menu	Layer 2 menu	Layer 3 menu	Notes
DMX ADDRESS	001-512		DMX Address,(Default address =1),the rang of the DMX address is between 1 to 512.
DMX MODE	3-Channel		Control of beam strobe frequency,intensity,and flash duration
	4-Channel		Control of beam strobe frequency, intensity ,flash duration and strobe effects
	14-Channel		Control of beam strobe frequency, intensity ,flash duration,strobe effects, RGB effects,and RGB macr
	18-Channel		separate control mode for each Section
PERSONANITY	DIMMER CURVE	LINEAR	Linerar dimming curve
		SQUARE LAW	Square law dimming curve
		INV SQUARE LAW	Inverse square law dimming curve
		S-CURVE	S-curve dimming curve
	FANS MODE	AUTO	Auto fans mode
		FAST	Fast speed fans mode
		NORMAL	Normal speed fans speed
		SILENT	Silent fans mode
	DMX RESET	OFF	Reset disable
		ON	Reset enable
	DISPLAY	ON	Screen keep on always
		2 Minute	Screen turn off after 2 minute
		5 Minute	Screen turn off after 5 minute
		10 Minute	Screen turn off after 10 minute
	Rotarion	Normal	Display on normal derection
		180	Display on oppsite derection
	DMX Error	SAVE	If DMX error ,than keep last state.
		BLACK	If DMX error , than clear all buffer.
	Master Contr	ON	MASTER SEND ENABLE
		OFF	STANDOLNE
Pass code	OFF	No pass code mode when in screen protect	
	ON	Enable pass code mode when in screen protect	
Fixture ID	xxxx		
DEFAULT SETTING	FACTORY DEFAULT	LOAD	Return all setting to factory default
	CUSTOM1	LOAD	Load custom1 setting from memory
		SAVE	Save current fixture settings as custom1 setting an overwrite existing custom1 setting
	CUSTOM2	LOAD	Load custom2 setting from memory
		SAVE	Save current fixture settings as custom2 setting and overwrite existing custom2 setting
	CUSTOM3	LOAD	Load custom3 setting from memory
SAVE		Save current fixture settings as custom3 setting and overwrite existing custom3 setting	

MANUAL	CHANNEL	[0-255]	manual control same as the current EXTERN dmx channel
	RESET	CANCEL	
		OK	not reset fixture
	UPLOAD	NO	reset fixture
YES			
TEST	BEAM STATIC		beams LEDS activated at low intensity for inspectoion purpose
	BEAM SECTOR		beams LEDS activated at low intensity for inspectoion sector bar
	BEAM STROBE		test beam LEDS only
	RED AURA		test red Aura LEDS only
	GREEN AURA		test green Aura LEDS only
	BLUE AURA		test blue Aura LEDS only
INFORMATION	VERSION	VX.X	dispaly fixture SW version
	TEMPERATURE	XX	display LED boards temperature
	RDM UID	6883:xxxxxxx	dispaly unique RDM ID
	ERROR LIST	Temperature Error	Display Error Information
	FIXTURE TIME	TOTAL X HOUR	Display total hours of operation since poweron

5. Channel Mode

3 Channel	4 Channel	Extended channel	segmented model	Value	Function
1	1	1	1	0 1-255	Dimmer(dark to bright)
			2	0-255	The first segment of dimming
			3	0-255	The second segment of dimming
			4	0-255	The third segment of dimming
			5	0-255	The fourth segment of dimming
2	2	2	6	0-255	Saturability 7-650ms
3	3	3	7	0-255	Stroboscopic speed 0.289-16.67HZ
	4	4	8	0-5 6-42 43-85 86-128 129-171 172-214 215-255	Strobe effect No function Gradually bright strobe The fading strobe Wave strobe Random strobe Lightning flashes strobe Spikes (flash over low light)
		5	9	0-7 8-15 16-23 24-31 32-39 40-47 48-55 56-63 64-71 72-79 80-87 88-95 96-255	Control/Settings No function linear dimming Quadratic curve Open square curve S- curve No function Fan automatic mode Fan fast mode Fan normal mode Fan slow mode No function Reset the device No function
		6	10	0-255	Effect selection Built-in macro
		7	11	0-126 127-128 129-255	Effect adjustment forward direction: Fast- slow stop Reverse: slow - fast
		8	12	0-7 8-15 16-23 24-31 32-39 40-47 48-55 56-63 64-71 72-79 80-87 88-95 96-103 104-111 112-183 184-255	No function 1 2 3 4 All off 1, 2 2, 3 3, 4 1, 3 2, 4 1, 4 1, 2, 3 2, 3, 4 forward direction: Fast- slow Reverse: slow - fast
		9	13	0-19 20-49 50-200 201-210 211-255	Color light strip strobe control Light off Light on Strobe: slow - fast Open light Random strobe: slow - fast
		10	14	0-255	master dimmer for Color light strip
		11	15	0-255	red
		12	16	0-255	green
		13	17	0-255	blue

3channel mode	4channel mode	Custom mode	Extension mode	value	Function
					Light color presetting
		14	18	0-10	Open, RGB color mix
				11-15	Color 1- LEE 790 Pink
				16-20	Color 2- LEE 157- pink
				21-25	Color 3- LEE-332 Light pink
				26-30	Color 4 - LEE-328 Pink
				31-35	Color 5 - LEE-345 fuchsia pink
				36-40	Color 6 - LEE-194 Light pink
				41-45	Color 7 - LEE-181 Congo blue
				46-50	Color 8 - LEE-071 blue
				51-55	Color 9 - LEE 120- dark blue
				56-60	Color 10-LEE 079 Pure blue
				61-65	Color 11-LEE 132 Medium blue
				66-70	Color 12-LEE 200 Double CT blue
				71-75	Color 13-LEE 161 Slate blue
				76-80	Color 14-LEE 201 Full blue
				81-85	Color 15-LEE 202 Half blue
				86-90	Color 16-LEE 117 steel blue
				91-95	Color 17-LEE 353 Lighter blue
				96-100	Color 18- LEE 118 Light blue
				101-105	Color 19-LEE 116 Medium green
				106-110	Color 20-LEE 124 Dark green
				111-115	Color 21-LEE 139 primitive green
				116-120	Color 22-LEE 089 moss green
				121-125	Color 23-LEE 122 Fern green
				126-130	Color 24-LEE 738 Ya green
				131-135	Color 25-LEE-088 Lime green
				136-140	Color 26-LEE 100 Spring yellow
				141-145	Color 28-LEE 179 Chrome orange
				146-150	Color 29-LEE 105 Orange
				151-155	Color 30-LEE 021 Gold amber
				156-160	Color 31-LEE 778 golden yellow
				161-165	Color 32-LEE-135 Deep golden amber
				166-170	Color 27-LEE 104 Dark amber
				171-175	Color 33-LEE 164 Flame red
				176-180	Color 34-Magenta
				181-185	Color 35- purple
				186-190	Color 36 - white
					Automatic 'color wheel rotation
				191 -	Clockwise direction, fast → slow
				214	stop (This will stop the color in
				220 - 243	Anticlockwise rotation, slow →fast
					Halo color random
				244 - 247	fast
				248 - 251	medium
				252- 255	slow

