

Introduction

FINE 480C PANEL is a high quality LED colors soft light fixture with high light efficiency and brightness. It uses 480w RGBW LUMI LEDs imported light source and the latest development of RGBW four color optical mixing system , which continuously mix 2800K~10000k color temperature white light , and the CRI remains $R_a > 95, R_9 > 95$. Equipped with HIS color management system and white color temperature adjustment green function, it is suitable for more application scenes and reduce the cost as well.

FINE 240C PANEL is a high quality LED colors soft light fixture with high light efficiency and brightness. It uses 240w RGBW LUMI LEDs imported light source and the latest development of RGBW four color optical mixing system , which continuously mix 2800K~10000k color temperature white light , and the CRI remains $R_a > 95, R_9 > 95$. Equipped with HIS color management system and white color temperature adjustment green function, it is suitable for more application scenes and reduce the cost as well.

Declaration

This product has passed the final check for both functionalities and package when delivered from the factory. All users should observe the instructions and pay attentions to the warnings covered by this manual. Unreasonable damages resulting from unintended operations or not heeding instructions covered by this manual will void the warranty. Specifications in this manual intend for reference only, the fixture delivered takes the priority. Any future modification pertaining to content of this manual, there will be no particular notifications. FINE ART reserves all copyrights. To obtain the latest information about software update, hardware and other files, please visit FINE ART online website.

P/N:390722000028 Edition: A

Contents

- 1. Safety information**.....2
- 2. Product introduction**.....4
 - 2.1 Fixture dimensions.....4
 - 2.2 Fixture introduction.....6
- 3. Package & delivery**.....8
- 4. Installation**..... 8
- 5. Datalink**..... 12
- 6. AC**.....13
- 7. Control panel**.....13
 - 7.1 Control panel introduction.....13
 - 7.2 Display panel menu.....15
- 8. Technical feature**.....15
- 9. Control Channel**.....18
- 10. Parts Code**.....21

Attached 1: Fixture exploded drawing
Attached 2: Light output and angle range
Attached 3: Wiring Diagram

1. Safety information

The following symbols are used to identify important safety information on the product and in this manual:



WARNING!

Read the safety precautions in this section before installing, powering, operating or servicing this product.

After receiving the fixture, please unpack and check if there is any damage due to transportation. If any obvious damage or flaw is found, do not put it into use and contact the distributor or manufacturer as soon as possible.



This fixture is intended for professional use only. When operating the fixture, attentions should be drawn to fire/electric-shock hazards and lethal injuries caused by fall.



Read this User Manual before mounting and energizing the fixture. Observe the safety guideline and notice the warnings both in this User Manual and on the fixture. Yet any safety concerns not covered hereby, contact the distributor or service hot-line.

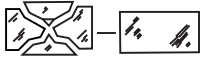


$t_a = 45^\circ\text{C}$

Protection against over heat

Fixture is suitable for indoor environment and its protection rating is IP20. The fixture should be kept dry and avoid working in presence of moisture, over-heat or heavy smokes.

The natural working temperature should be lower than 45 degrees. If the ambient temperature exceeds 45 degrees, please stop operating the unit immediately.



Protection against explosion

Shields must be replaced if they have become visible damaged to such an extent that their effectiveness is impaired.



Protection against injury due to falls

To inspect that the structure and the truss hooks are in good condition and can bear about 10 times the weight of the fixture.

Ensure the cover and all riggings are securely fastened, safety wire is necessary to use as a secondary attachment.

Block access below the working area and work from a stable platform while installing, servicing or moving the fixture.



Protection against electrical shock

All electrical connections must be performed by a qualified person with technical certificate.

Make sure that the mains power supply you use is up to local construction and electronic code regulation, the over-load protection reliable earthing is essential.

Each fixture must be grounded correctly, and be installed according to related regulation.

Disconnect the fixture from mains supply before replacing any fuse. Avoid using the fixture in damp environment.



Protection against burning or fire

Please do not install the fixture onto combustible surface.

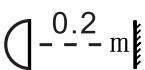
Do not attempt to bypass the thermostat switch or fuse.

Replace defective fuses with specified ratings only.

Keep flammable materials far away from the fixture. Minimum distance from the flammable materials is 0.5m.

Under the steady working state, the max temperature of exterior surface of Fixture is 65°C , Please don't touch the moving head during movement.

The minimum distance between the fixture and the lighted objects is 0.2m.



Do not place any filter or other object onto the optical lens.

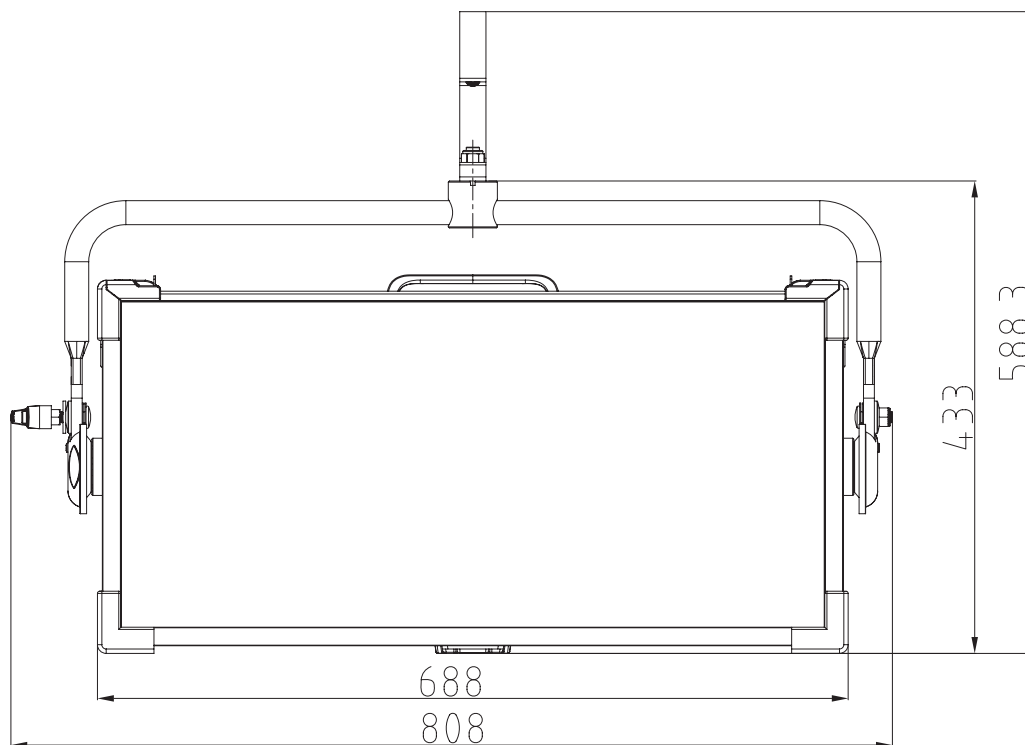
Ensure a minimum clearance of 0.1m around the cooling fans and ventilation

Do not revise the fixture or install any parts not from Guangzhou CHAI YI LIGHT Co.Ltd.

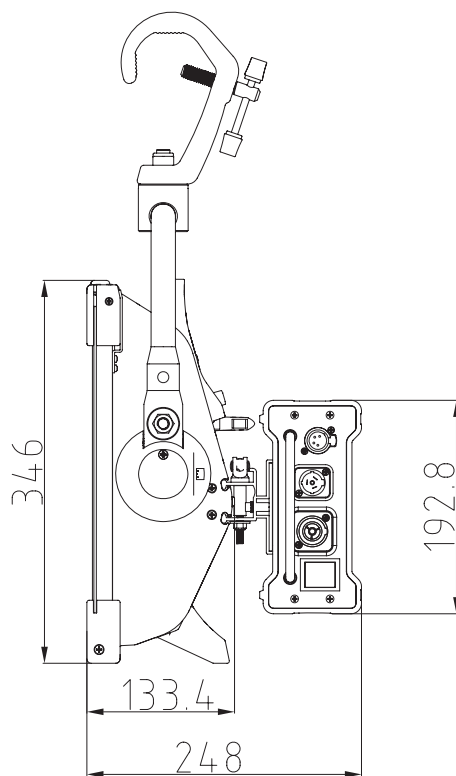
2.Product introduction

2.1 Fixture Dimensions

● FINE 480C PANEL

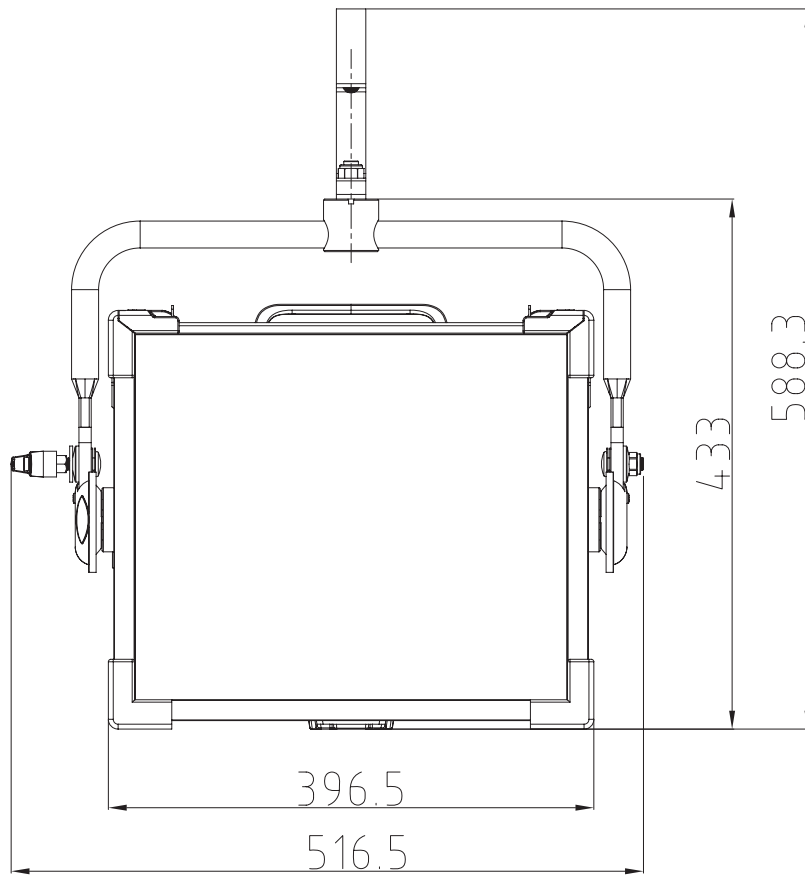


Fig(2.1-1) Front view

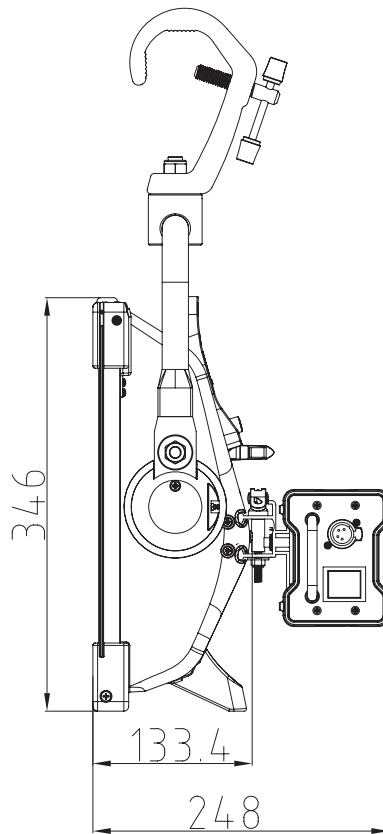


Fig(2.1-2) Side view

● FINE 240C PANEL



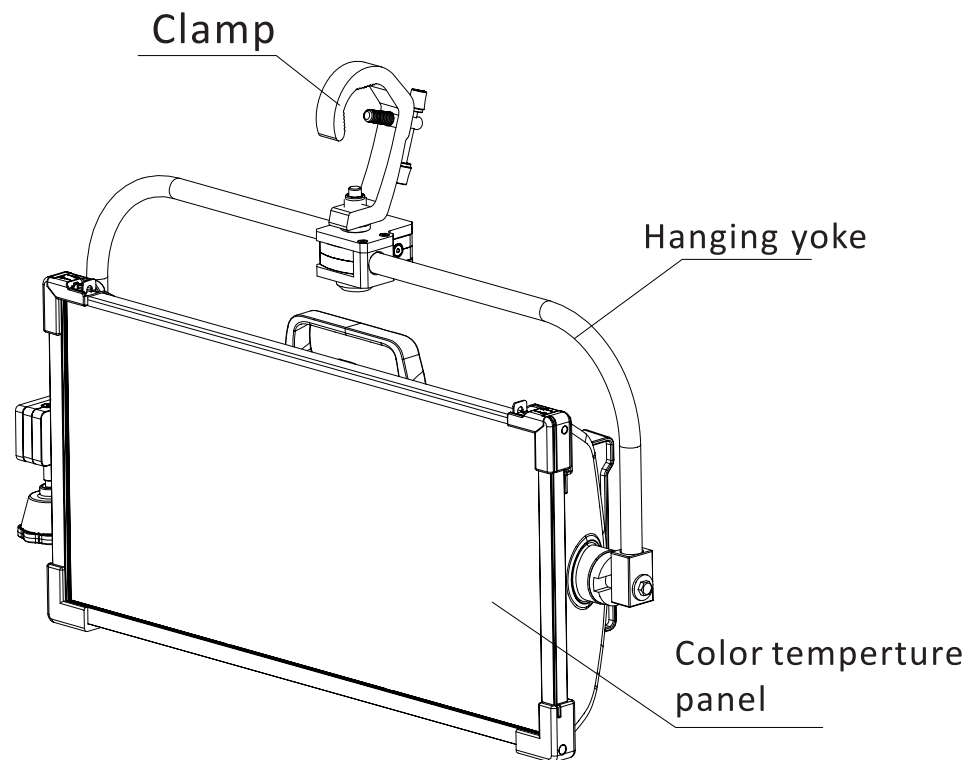
Fig(2.1-3) Front view



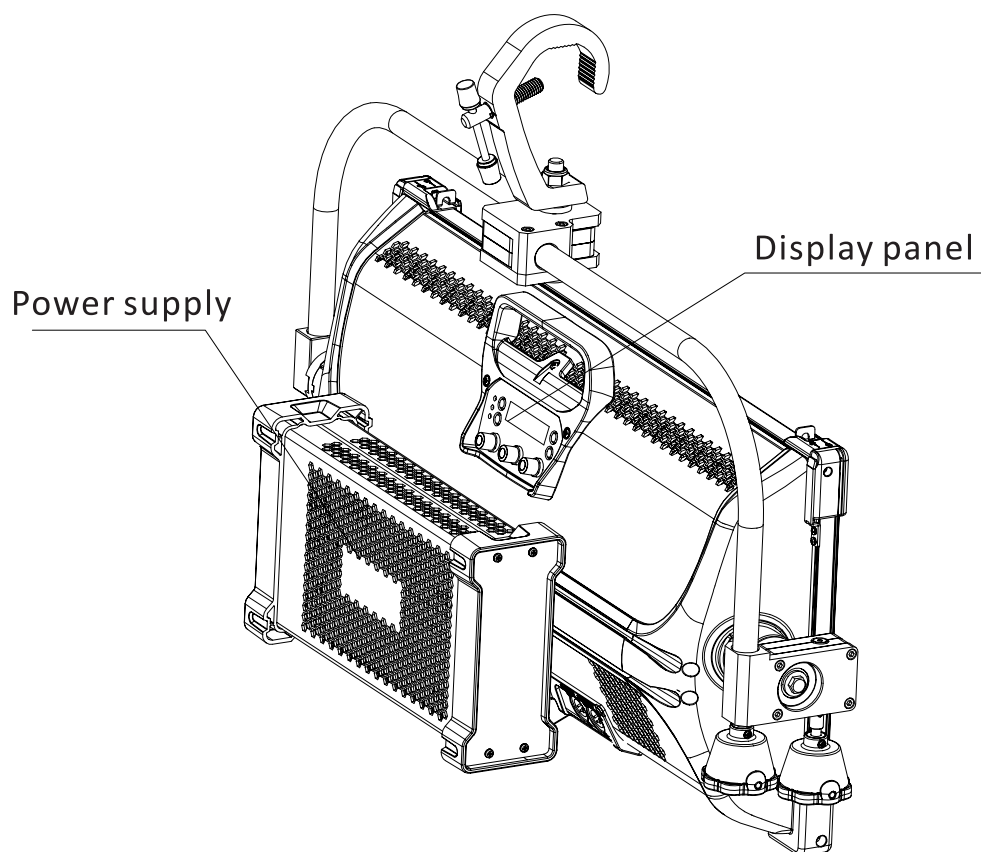
Fig(2.1-4) Side view

2.2 Fixture Introduction

● FINE 480C PANEL

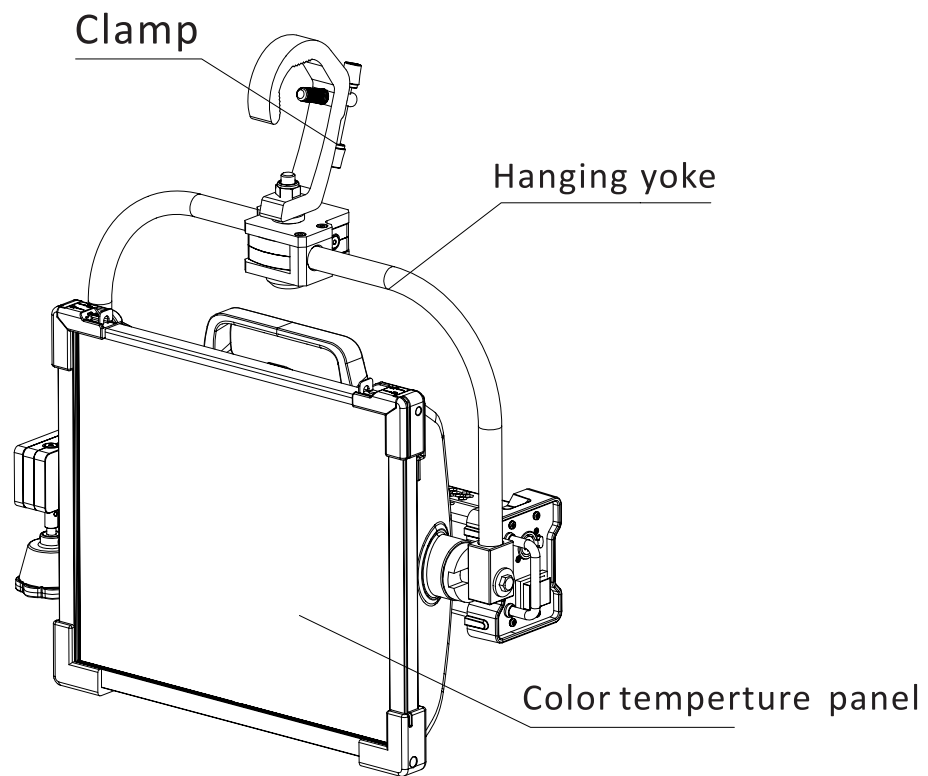


Fig(2.2-1)

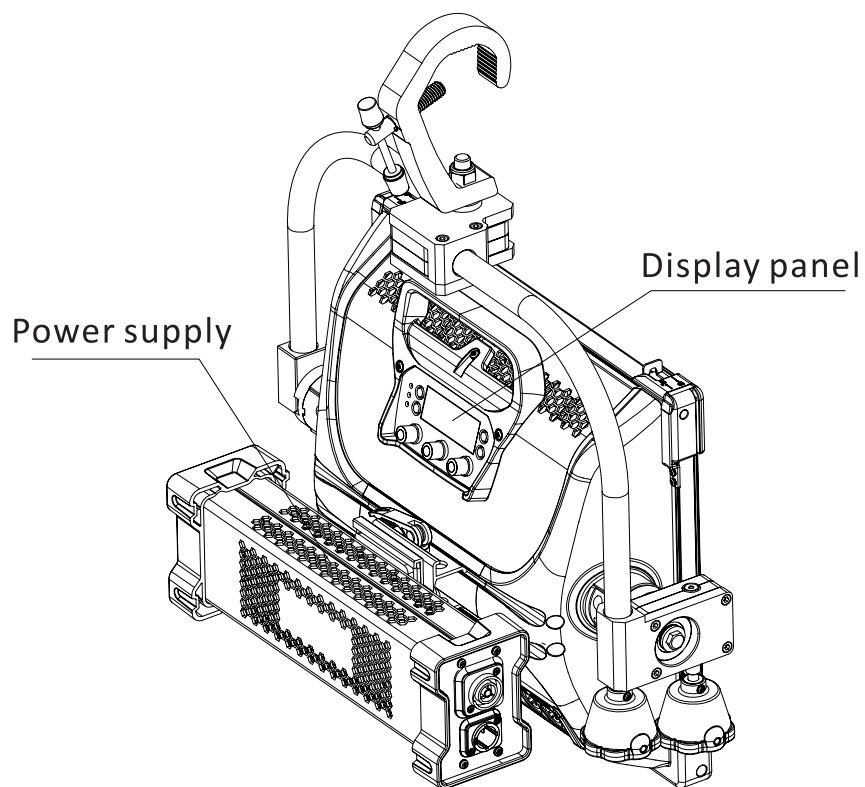


Fig(2.2-2)

● FINE 240C PANEL



Fig(2.2-3)



Fig(2.2-4)

3.Package&delivery

Fixture is packed with carton.One single standard case carries 1 fixtures,Included items listed below

Accessories	QTY	UNIT
User Manual	1	PCS
Warranty Card	1	PCS
Yoke	1	PCS
Signal Cable	1	PCS
Safety Wire	1	PCS
Power cord	1	PCS
Power connection	1	PCS
Screw	5	PCS

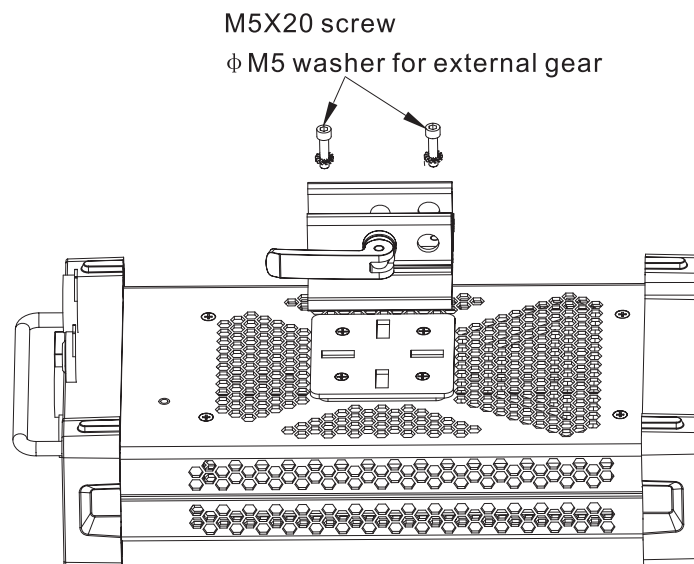
4.Installation

User must be termly check the fixture and its install materials, if you are non-qualified to check that, please contact the professional person. Wrong installation will result in fatal hazard.

The fixture working ambient temperature are between -10°C - 45°C , When ambient temperature over the range, don't operate the fixture. When the fixture are in installation, teardown, remove or servicing, don't stand in under the fixture. Operator must be insure the fixture are safely connected. The input power supply must match the specific type demanded by the fixture.Make sure the installation check annually by professional person.

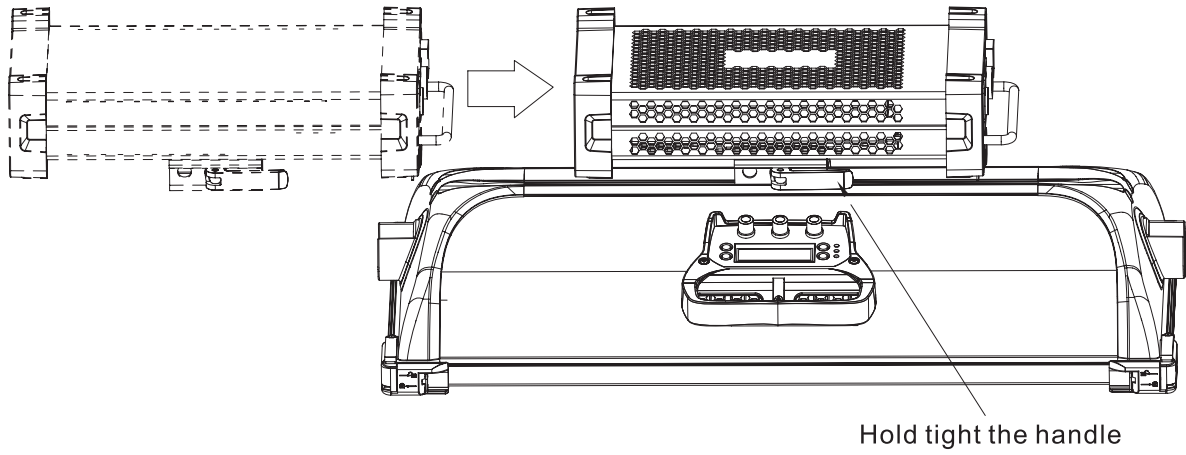
Installation steps before use(All spare parts including screws for installation are kept in the pacakge already)

1. Install latch segment for power supply



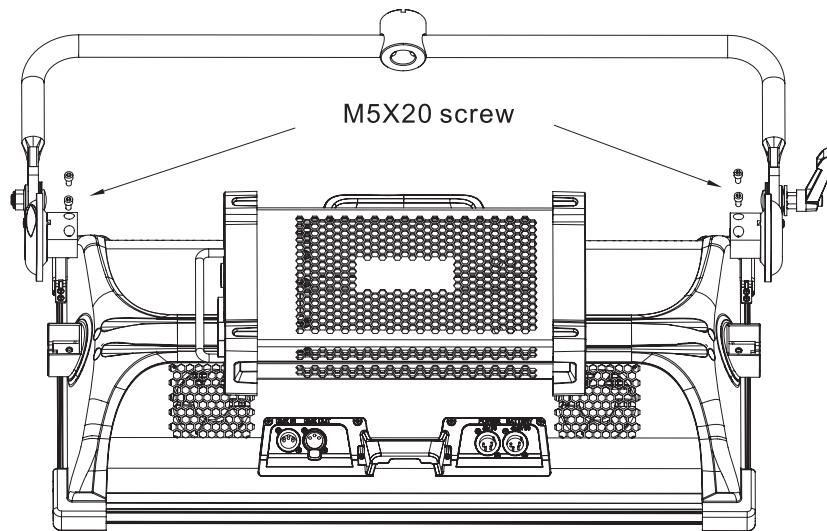
Fig(4.1-1)

2. Install power supply: Put the latch segment for power supply into the sink, and then press the handle to fix it.



Fig(4.2)

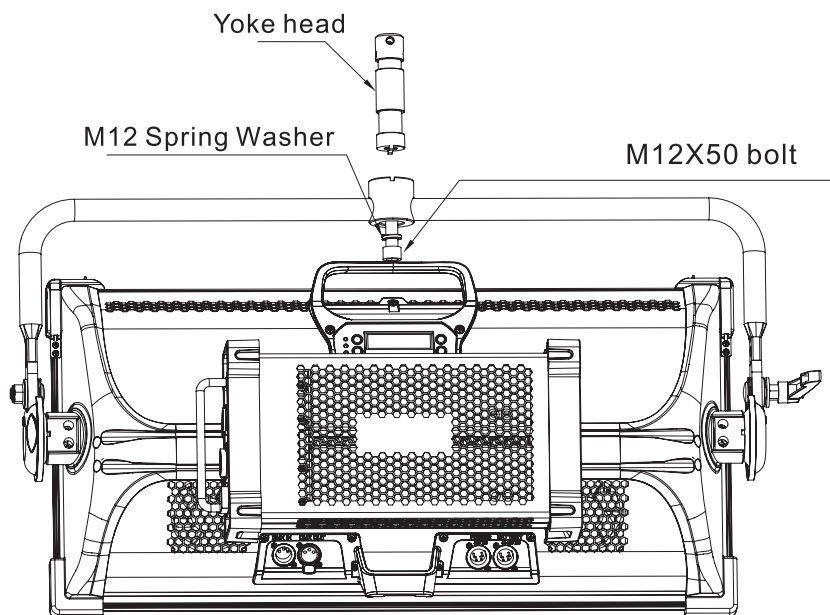
3. Install the hanging yoke: fix the yoke with 4 pcs M5X12 screws.



Fig(4.3)

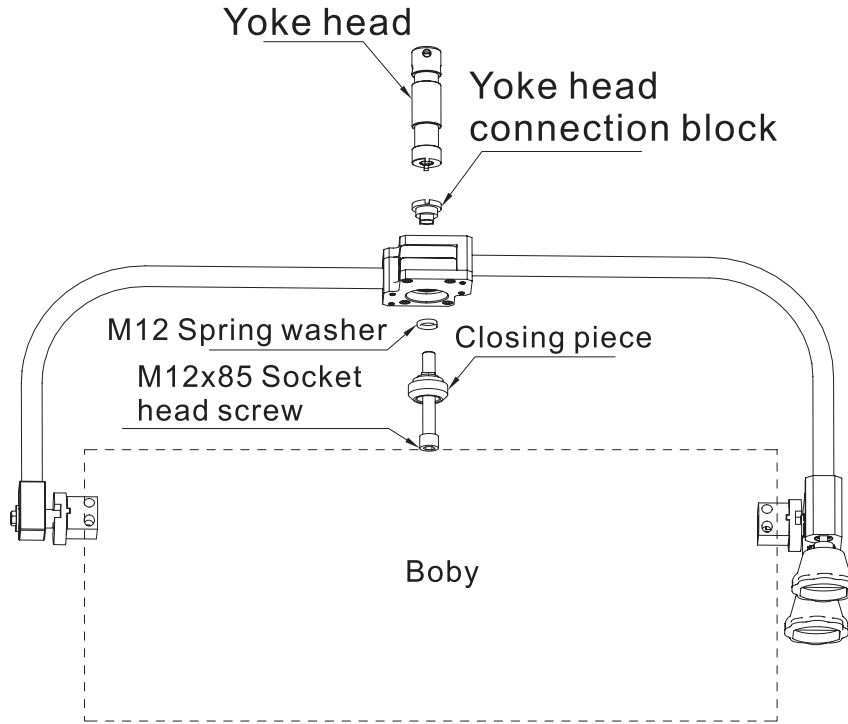
4. Install the yoke head

Hanging yoke



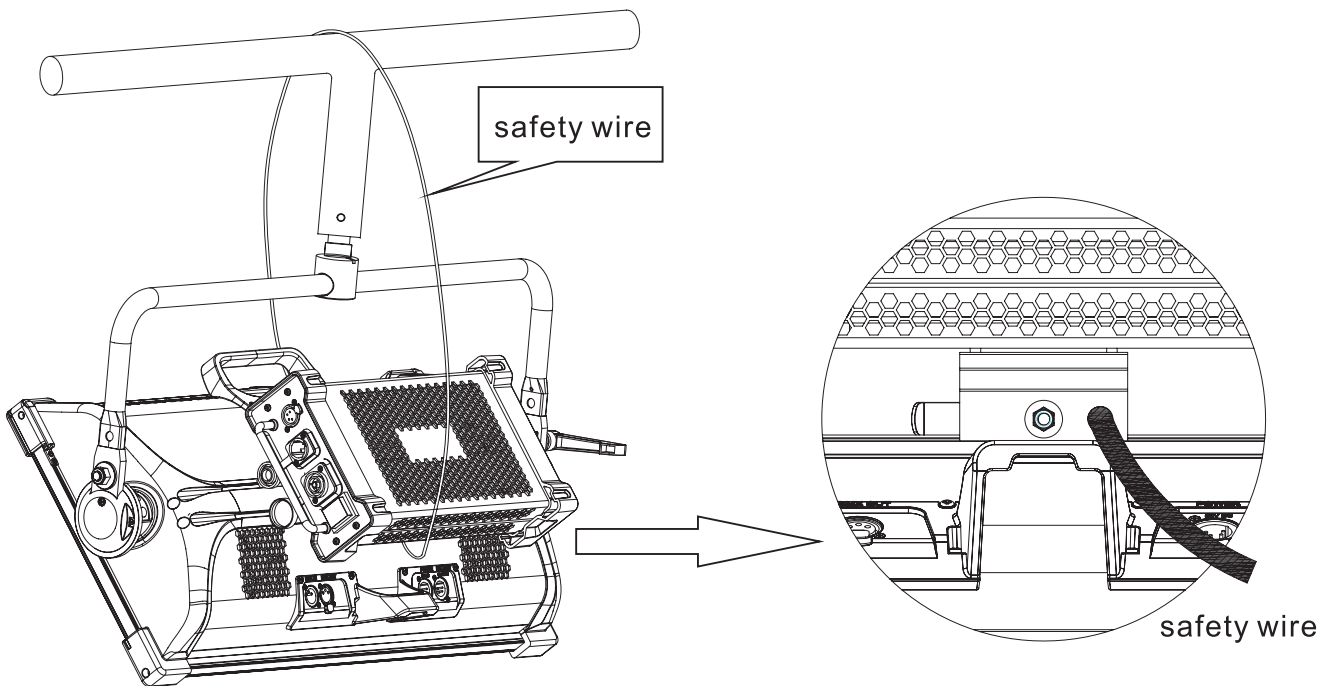
Fig(4.4-1)

Pole controlled



Fig(4.4-2)

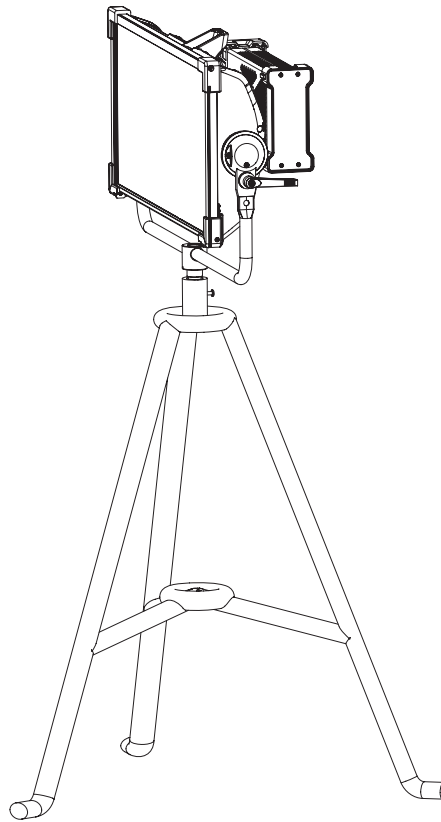
5. Hang on the truss



Fig(4.5)

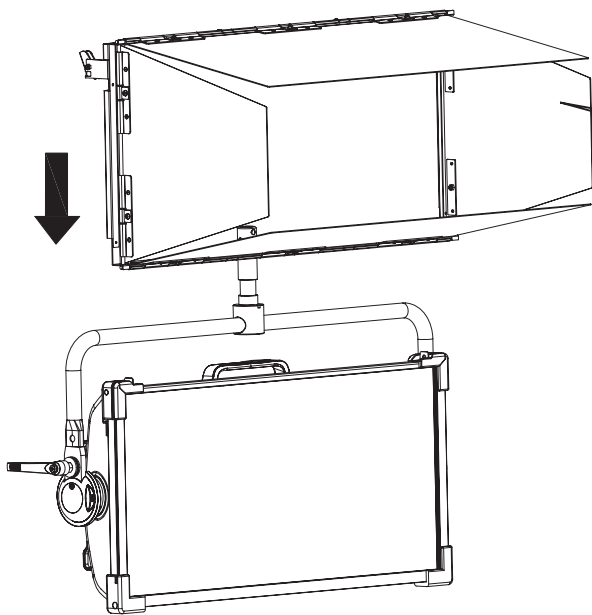
<p>Warning</p>	After fixing the fixture, please put 1 safety rope and make sure it pass through the hole for the power supply
----------------	----------------------------------------------------------------------------------------------------------------

6. Available to mount on a tripod



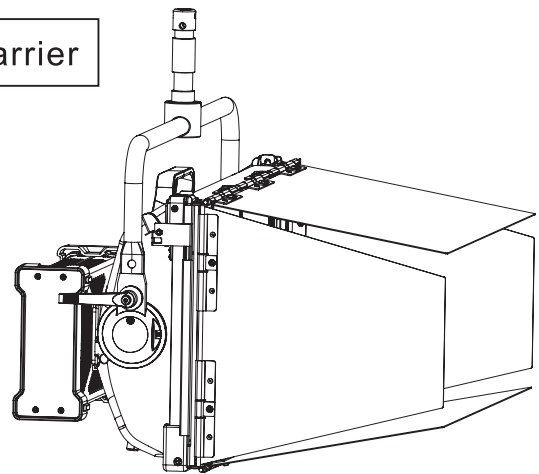
Fig(4.6)

7. Install Light Barrier



Fig(4.7-1)

Light Barrier



Fig(4.7-2)

5.Data link

Note: The signal cable is type X connection.

Type X connection—if the external flexible cable or cord of this fixture is damaged, it shall be replaced by a special cord or cord exclusively available from the manufacturer or his service agent.

3-pin XLR connectors are provided for fixture DMX input and output.

Pin 1 is for earthing, pin 2 is for minus signals, and pin 3 is for plus signals.

To prevent and absorb the reflection and interference of the signals, each data link must be ended by a respective terminator.



DMX 512

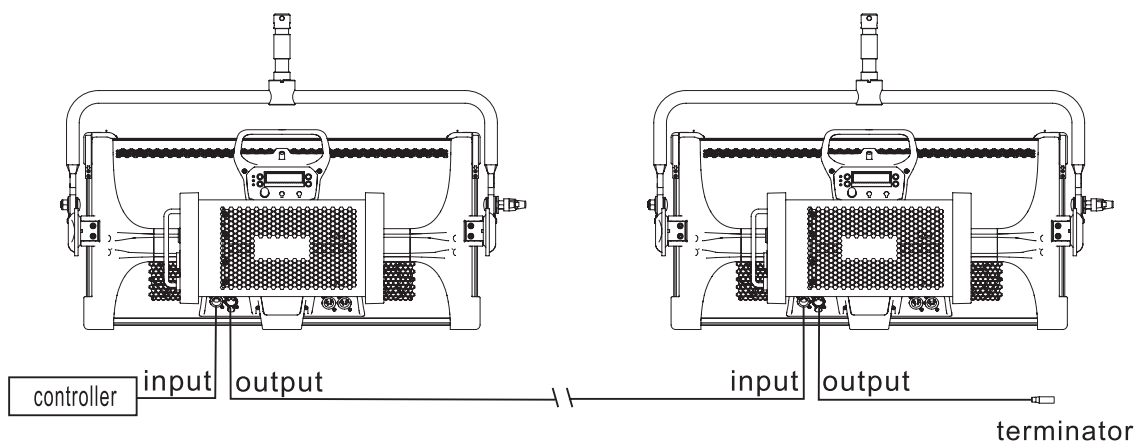
- | | | |
|---|-------------------|-----------|
| 1 | ⏏ (shielded wire) | GND/OV |
| 2 | red | signal(-) |
| 3 | white | signal(+) |

Terminator specification:
a 120Ω resistor with a power of 0.25w, soldered between pin 2 and pin 3 at the end of respective data link.

Fig(5.1-1)

Connect the 3-pin output of a lighting controller to the 3-pin input of a first fixture on the link, then connect the 3-pin output of the said first fixture to the 3-pin input of a second fixture. Similarly, repeat the above connection step and end the data link with a plug-in terminator. Shown as Fig. 5.1-1 below.

If long-distance data transfer occurs, a DMX512 signal amplifier is necessary. The added amplifier is inserted between the lighting controller and the first fixture on the basis of a normal data link.



Fig(5.1-2)

Notice:

- 1.No more than one signal input or output can occur in one fixture.
- 2.Don't split a data link via output ports on the fixture, use a DMX512 signal amplifier instead, if necessary.
- 3.Use only shielded-pair cables, and standard microphone cable is not reliable for long-distance data transfer.
- 4.The lighting fixture must not exceed 12 pcs when in connection.


6.AC

Notice:Type X attachment for power supply connection.

Method of attachment of the cable or cord such that any replacement can only be made by the manu-facturer, his service agent or similarly qualified person.

The person must have the relevant qualification to connect the power supply. The AC power voltage shall be suitable to the lamp provided with over-loading or cree page protection.

Connecting the equipment to the power supply, do not connect to silicon box system, or else, it will destroy the equipment. The fixture is provided with standard 3-pin socket. Please according to table 6.1 connect to power supply, Yellow/green line must be earthed. If you still have any question to the installation, please consultant with the experienced electrician.

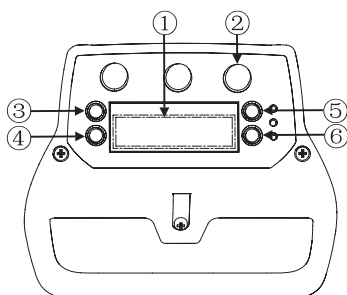
Color	Wire	Mark
Brown	Live	L
Blue	Neutral	N
Yellow/Green	Earth	

Fig(6.1)

7.Control Panel

7.1 Control Panel Introduction

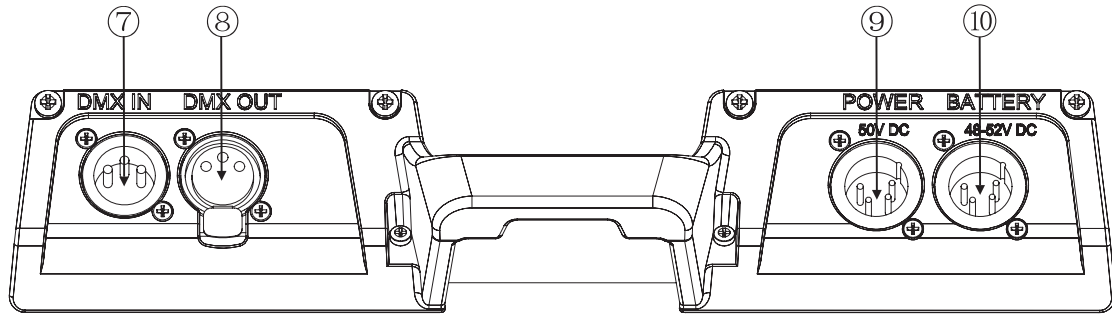
Display Panel



- 1.Display Screen
- 2.Display Panel Knob
- 3.Menu Button
- 4.Enter
5. Up
6. Down

Fig(7.1-1)

Socket Panel

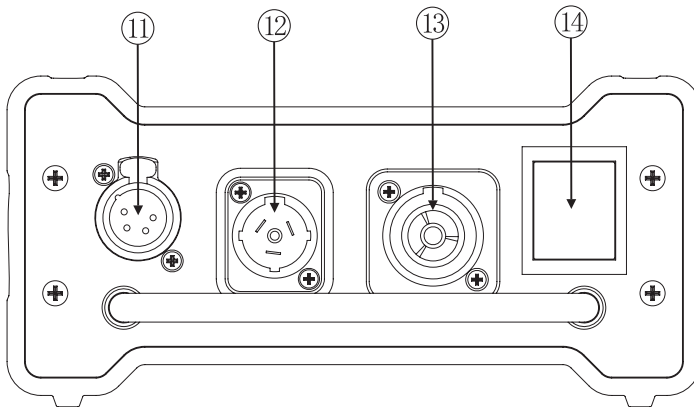


Fig(7.1-2)

7. Signal Input
8. Signal Output

9. Power Input
10. Battery Input

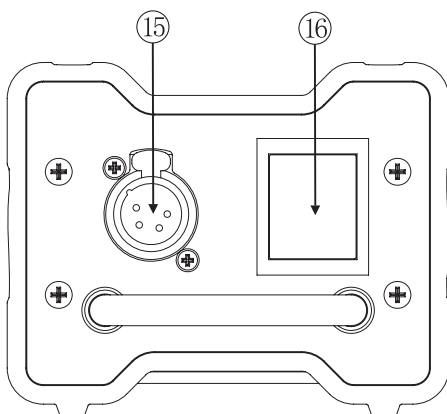
Power Panel For FINE 480C



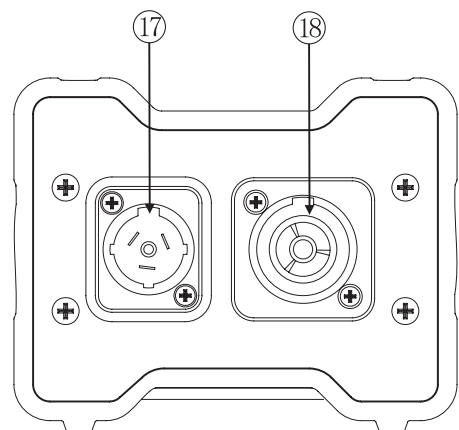
Fig(7.1-3)

11. Power Output
12. Power Input
13. Power Output
14. Power Switch

Power Panel For FINE 240C



15. Power Output
16. Power Switch



17. Power Input
18. Power Output

Fig(7.1-4)

7.2 Display panel menu

Menu		
ID	1-512	(001 is factory value)
Dimmer	R	0-255 (0 is factory value)
	G	0-255 (0 is factory value)
	B	0-255 (0 is factory value)
	W	0-255 (0 is factory value)
REST	Reset (Reset factory value)	
MODE	RGBW	
	HSI	
	CCT	
	C&RGBW	
	C&HSI	
FAN	Power	High Fan
	Live	Live Fan (factory value)
	Studio	Low Fan
CURV	CV	Curve On (factory value)
	OFF	Curve Off
MCON	OFF	Master Off (factory value)
	ON	Master On

8. Technical Feature

FINE 480C PANEL

◇ OPTICAL SYSTEM

Light Source: LUMI LEDs

Life Span: $\geq 50,000$ h

Color Temperature: 2800k ~ 10000k

luminous flux >20000lm

light efficiency: >60lm/W

Ra: >95

R9: >95

Angle: 115°

◇ **FEATURE**

Housing: Aluminum alloy die-casting, Stretching Aluminum
Structure: Vinyl cover

◇ **ELECTRIC**

Power: AC100-240V 50/60Hz
Input Power: 445W
Power Factor: $PF \geq 0.99$

◇ **ELECTRONIC CONTROL TECHNOLOGY**

Protocol: DMX512
Control Channel: 7/5/10/8/5
Control Panel: LCD + Button + Knob

◇ **DIMENSION AND WEIGHT**

Fixture Dimension: 808mmX248mmX433mm
Net Weight: 20kg

◇ **PACKAGE**

Carton

◇ **INSTALLMENT**

Hang: standard
Safety: Safety cable

◇ **WORKING ENVIRONMENT**

Temperature: -10°C - 45°C
Humidity: 5%-95%

◇ **IP RATE**

IP 20

FINE 240C PANEL

◇ **OPTICAL SYSTEM**

Light Source: LUMI LEDs
Life Span: $\geq 50,000$ h
Color Temperature: 2800k ~ 10000k
luminous flux > 11000 lm
light efficiency: > 60 lm/W

Ra: >95
R9: >95
Angle: 115°

◇ **FEATURE**

Housing: Aluminum alloy die-casting, Stretching Aluminum
Structure: Vinyl cover

◇ **ELECTRIC**

Power: AC100-240V 50/60Hz
Input Power: 209W
Power Factor: PF ≥ 0.99

◇ **ELECTRONIC CONTROL TECHNOLOGY**

Protocol: DMX512
Control Channel: 7/5/10/8/5
Control Panel: LCD + Button + Knob

◇ **DIMENSION AND WEIGHT**

Fixture Dimension:
516.5mmX248mmX433mm
Net Weight: 14kg

◇ **PACKAGE**

Carton

◇ **INSTALLMENT**

Hang: standard
Safety: Safety cable

◇ **WORKING ENVIRONMENT**

Temperature: -10°C - 45°C
Humidity: 5%-95%

◇ **IP RATE**

IP 20

9. Control Channel

DMX channel

RGBW	CH1	R	0-255	Red
	CH2	G	0-255	Green
	CH3	B	0-255	Blue
	CH4	W	0-255	White
	CH5	Intensity	0-255	Intensity
	CH6	Strobe	0-5	N/A
			6-105	Normal strobe
			106-110	N/A
			110-179	Thunder strobe
			180-185	N/A
			186-255	Random strobe
	CH7	Function	0-5	N/A
			6-25	High Fan
			26-50	Low Fan
			51-75	Live Fan
			76-85	N/A
			86-95	N/A
			96-105	N/A
			106-115	N/A
116-179			N/A	
180-200			N/A	
201-255			N/A	
HIS	CH1	Hue	0-255	Hue
	CH2	Saturation	0-256	Saturation
	CH3	Intensity	0-255	Intensity
	CH4	Strobe	0-5	N/A
			6-105	Normal strobe
			106-110	N/A
			110-179	Thunder strobe
			180-185	N/A
			186-255	Random strobe
	CH5	Function	0-5	N/A
			6-25	High Fan
			26-50	Low Fan
			51-75	Live Fan
			76-85	N/A
			86-95	N/A
			96-105	N/A
			106-115	N/A
			116-179	N/A
			180-200	N/A
201-255			N/A	

CCT-HIS	CH1	Master Intensity	0-255	Intensity
	CH2	Color Temperature	0-255	2800K~10000K
	CH3	Green/Magenta Value	0-10	neutral/no effect
			011-020	full minusgreen
			021-119	-64~0
			120-145	neutral/no effect
			146-244	0~+64
			245-255	full plusgreen
	CH4	White-Color Crossfade	0-255	
	CH5	Hue	0-255	Hue
	CH6	Saturation	0-256	Sta
	CH7	Strobe	0-5	N/A
			6-105	Normal strobe
			106-110	N/A
			110-179	Thunder strobe
			180-185	N/A
			186-255	Random strobe
	CH8	Function	0-5	N/A
			6-25	High Fan
			26-50	Low Fan
			51-75	Live Fan
			76-85	N/A
			86-95	N/A
			96-105	N/A
106-115			N/A	
116-179			N/A	
180-200			N/A	
201-255	N/A			
CCT	CH1	Master Intensity	0-255	Intensity
	CH2	Color Temperature	0-255	2800K~10000K
	CH3	Green/Magenta Value	0-10	neutral/no effect
			011-020	full minusgreen
			021-119	-64~0
			120-145	neutral/no effect
			146-244	0~+64
			245-255	full plusgreen
	CH4	Strobe	0-5	N/A
			6-105	Normal strobe
			106-110	N/A
			110-179	Thunder strobe
			180-185	N/A
			186-255	Random strobe
	CH5	Function	0-5	N/A
			6-25	High Fan
			26-50	Low Fan
			51-75	Live Fan
			76-85	N/A
			86-95	N/A
			96-105	N/A
			106-115	N/A
			116-179	N/A
			180-200	N/A
201-255	N/A			

CCT-RGBW	CH1	Master Intensity	0-255	Intensity
	CH2	Color Temperature	0-255	2800K~10000K
	CH3	Green/Magenta Value	0-10	neutral/no effect
			011-020	full minusgreen
			021-119	-64~0
			120-145	neutral/no effect
			146-244	0~+64
			245-255	full plusgreen
	CH4	White-Color Crossfade	0-255	
	CH5	Red Intensity	0-255	
	CH6	Green Intensity	0-255	
	CH7	Blue Intensity	0-255	
	CH8	White Intensity	0-255	
	CH9	Strobe	0-5	N/A
			6-105	Normal strobe
			106-110	N/A
			110-179	Thunder strobe
			180-185	N/A
			186-255	Random strobe
	CH10	Function	0-5	N/A
			6-25	High Fan
			26-50	Low Fan
			51-75	Live Fan
			76-85	N/A
			86-95	N/A
			96-105	N/A
106-115			N/A	
116-179			N/A	
180-200			N/A	
201-255			N/A	

10.Parts Code

FINE 480C PANEL

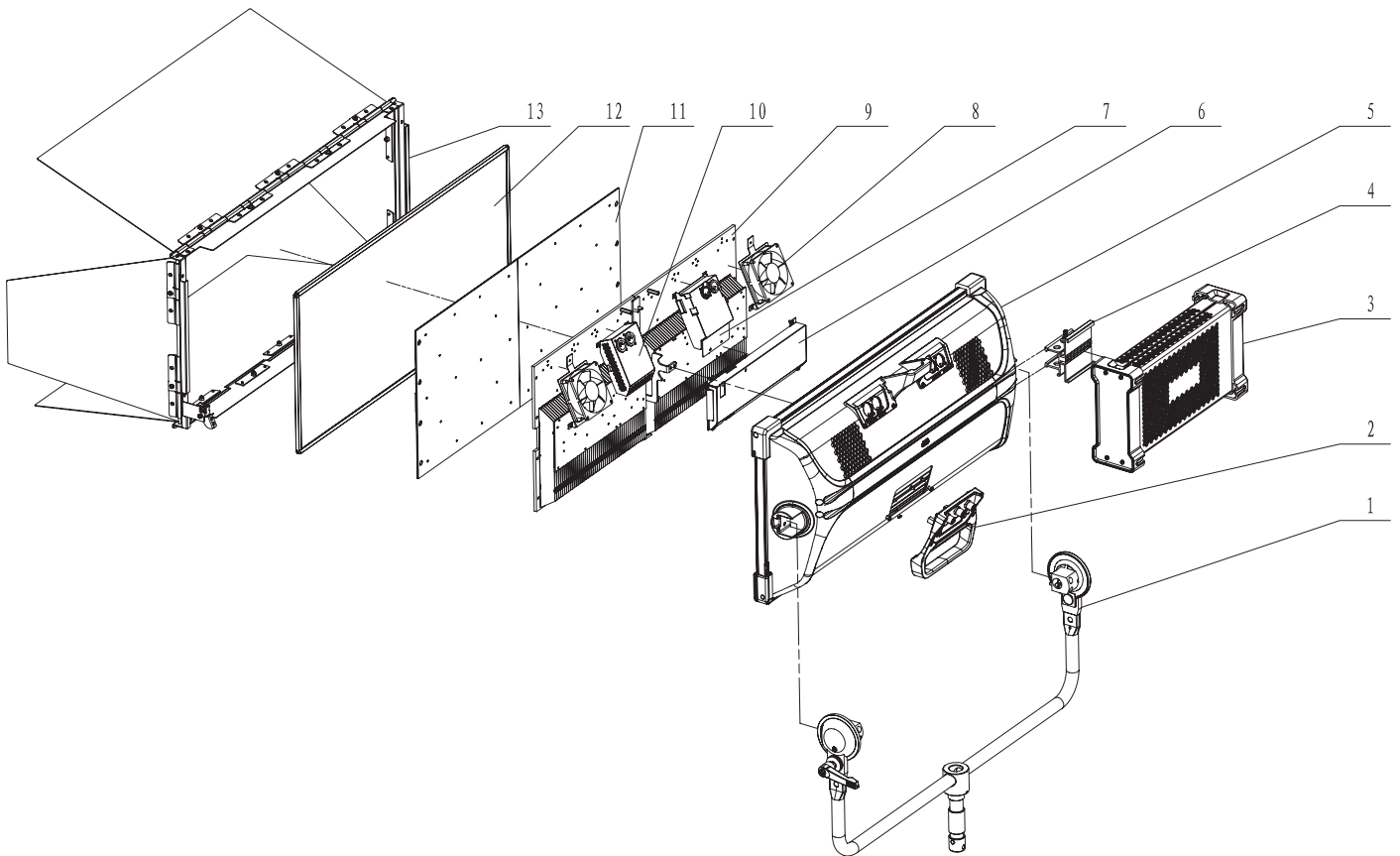
NO.	Item	Specification	Ordering P/N
1	Hang assembly		230722000009
2	Spare parts assembly		230722000016
3	Power assembly		230722000002
4	Fast lock assembly for power		230722000003
5	Power interface board		330722100003
6	Driver board		330722100006
7	DMX board		330722100002
8	Display board		330722100014
9	Power protection board		330722100004
10	LEDs board-left		330722100021
11	LEDs board-right		330722100022
12	Diffusion block assembly		230722000027
13	Light barrier assembly		230722000005

FINE 240C PANEL

NO.	Item	Specification	Ordering P/N
1	Hang assembly		230722000010
2	Spare parts assembly		230722000016
3	Power assembly		230722000007
4	Fast lock assembly for power		230722000003
5	Power interface board		330722100003
6	Driver board		330722100013
7	DMX board		330722100002
8	Display board		330722100014
9	Power protection board		330722100011
10	LEDs board		330722100023
11	Radiating assembly		170722000034
12	Diffusion block assembly		230722000028
13	Light barrier assembly		230722000005

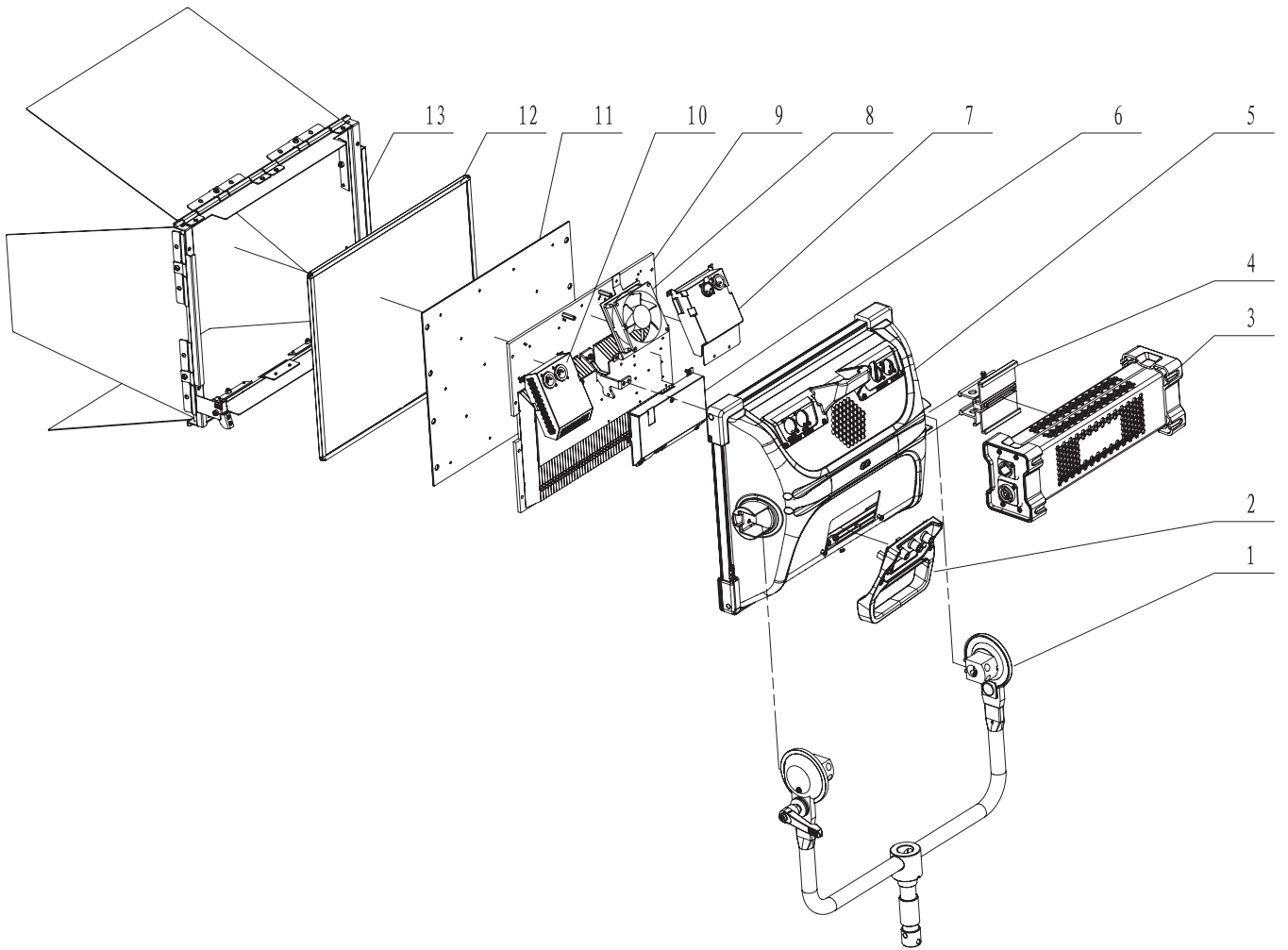
Attached 1: Fixture exploded drawing

FINE 480C PANEL



NO	Item	NO	Item
1	Hang assembly	2	Handle and display panel assembly
3	Power assembly	4	Fast lock assembly for power
5	Shell component	6	Driver board assembly
7	DMX board assembly	8	Fan assembly
9	Radiating assembly	10	Power interface board assembly
11	LEDs board assembly	12	Diffusion block assembly
13	Light barrier assembly		

FINE 240C PANEL



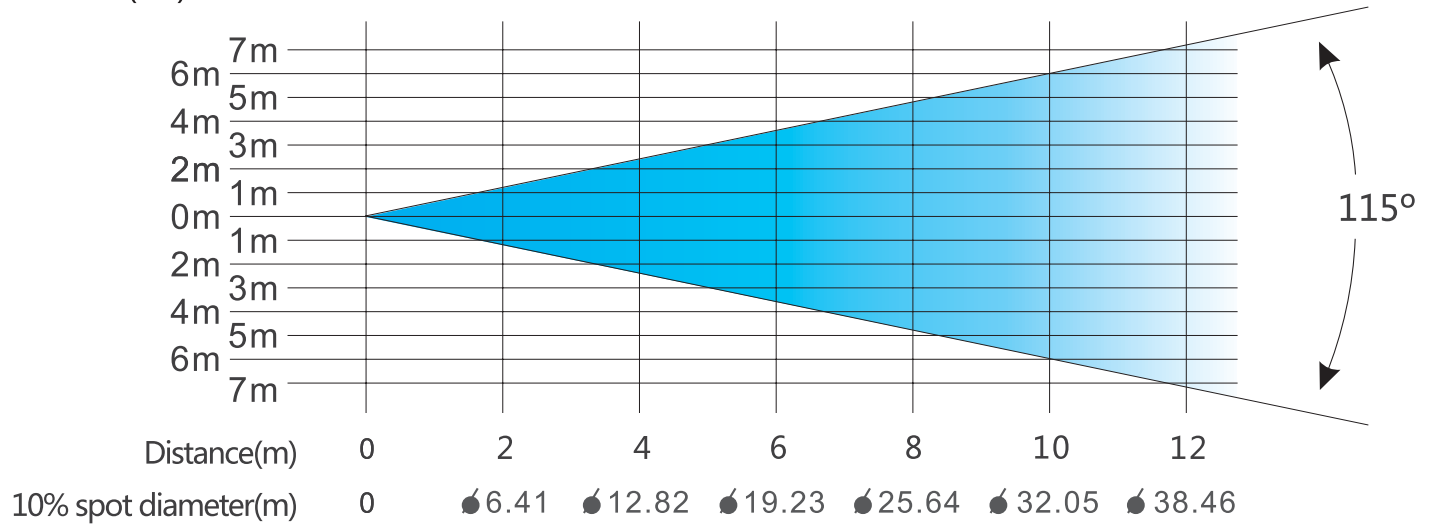
NO	Item	NO	Item
1	Hang assembly	2	Handle and display panel assembly
3	Power assembly	4	Fast lock assembly for power
5	Shell component	6	Driver board assembly
7	DMX board assembly	8	Fan assembly
9	Radiating assembly	10	Power interface board assembly
11	LEDs board assembly	12	Diffusion block assembly
13	Light barrier assembly		

Attached2: Light output and angle range

FINE 480C PANEL

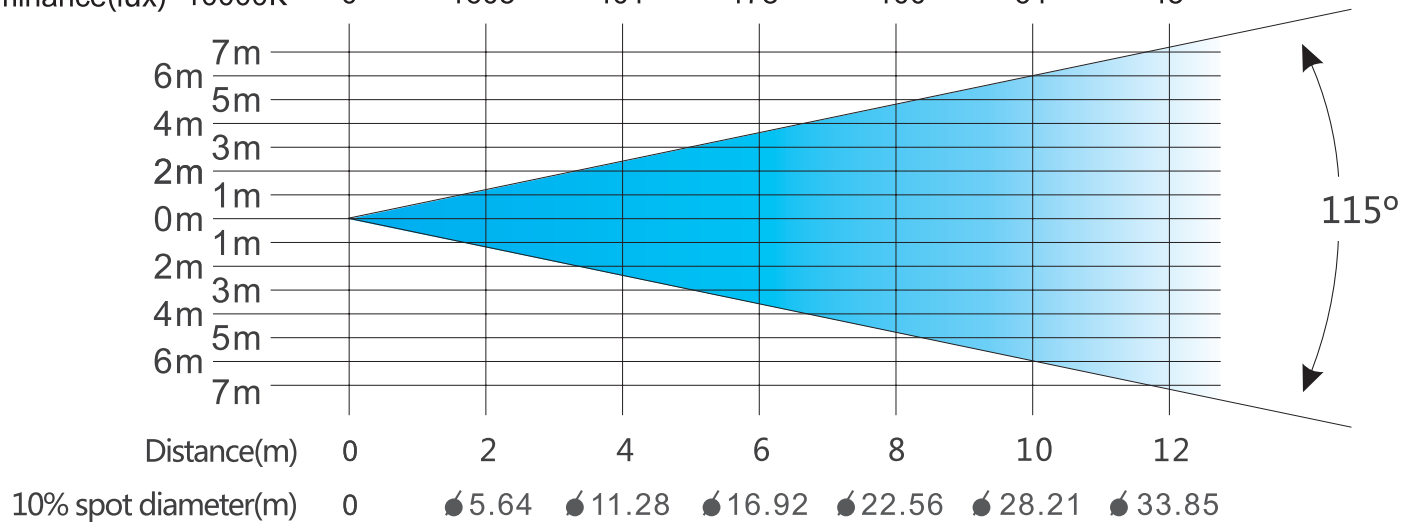
Pan Spot

2800K	0	1337	334	149	84	53	37
3200K	0	1375	344	153	86	55	38
5600K	0	1479	370	164	92	59	41
6500K	0	1503	376	167	94	60	42
Luminance(lux) 10000K	0	1605	401	178	100	64	45



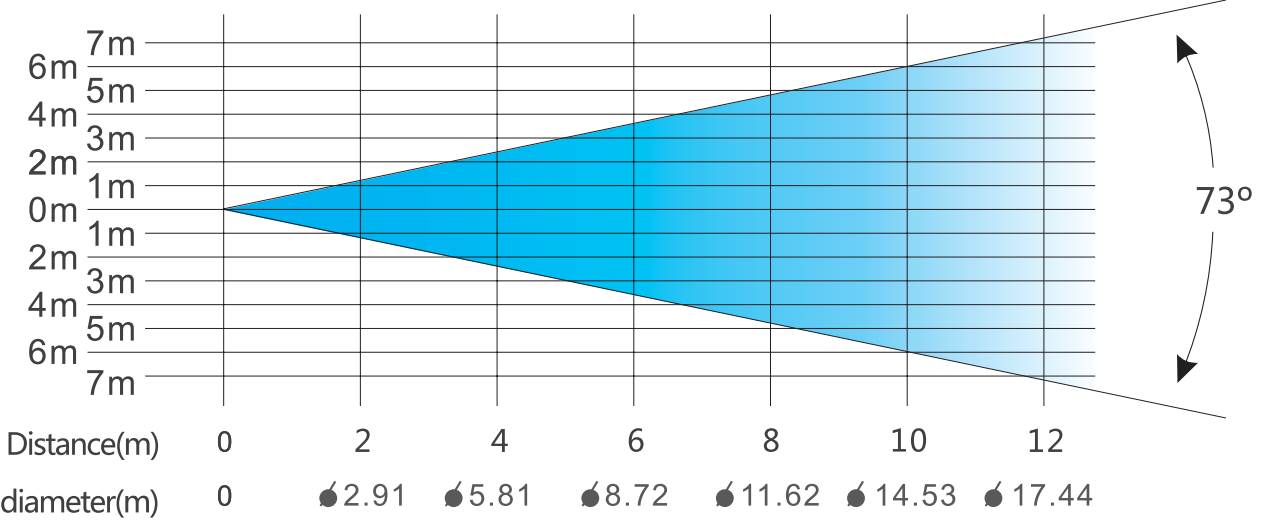
Tilt Spot

2800K	0	1337	334	149	84	53	37
3200K	0	1375	344	153	86	55	38
5600K	0	1479	370	164	92	59	41
6500K	0	1503	376	167	94	60	42
Luminance(lux) 10000K	0	1605	401	178	100	64	45



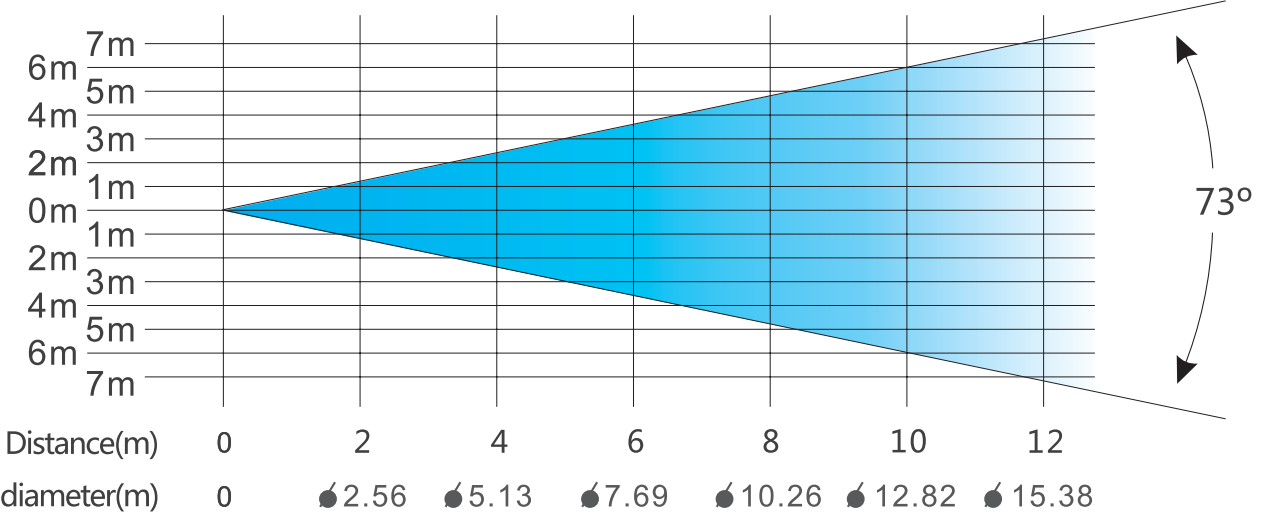
Pan Beam

	2800K	0	1337	334	149	84	53	37
	3200K	0	1375	344	153	86	55	38
	5600K	0	1479	370	164	92	59	41
	6500K	0	1503	376	167	94	60	42
Luminance(lux)	10000K	0	1605	401	178	100	64	45



Tilt Beam

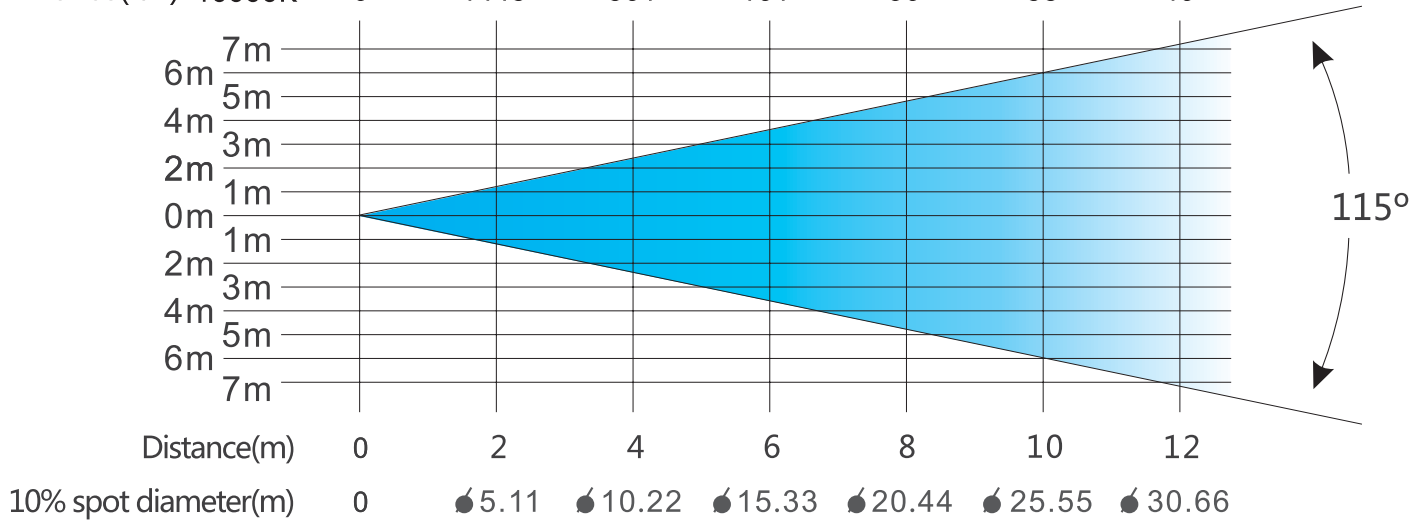
	2800K	0	1337	334	149	84	53	37
	3200K	0	1375	344	153	86	55	38
	5600K	0	1479	370	164	92	59	41
	6500K	0	1503	376	167	94	60	42
Luminance(lux)	10000K	0	1605	401	178	100	64	45



FINE 240C PANEL

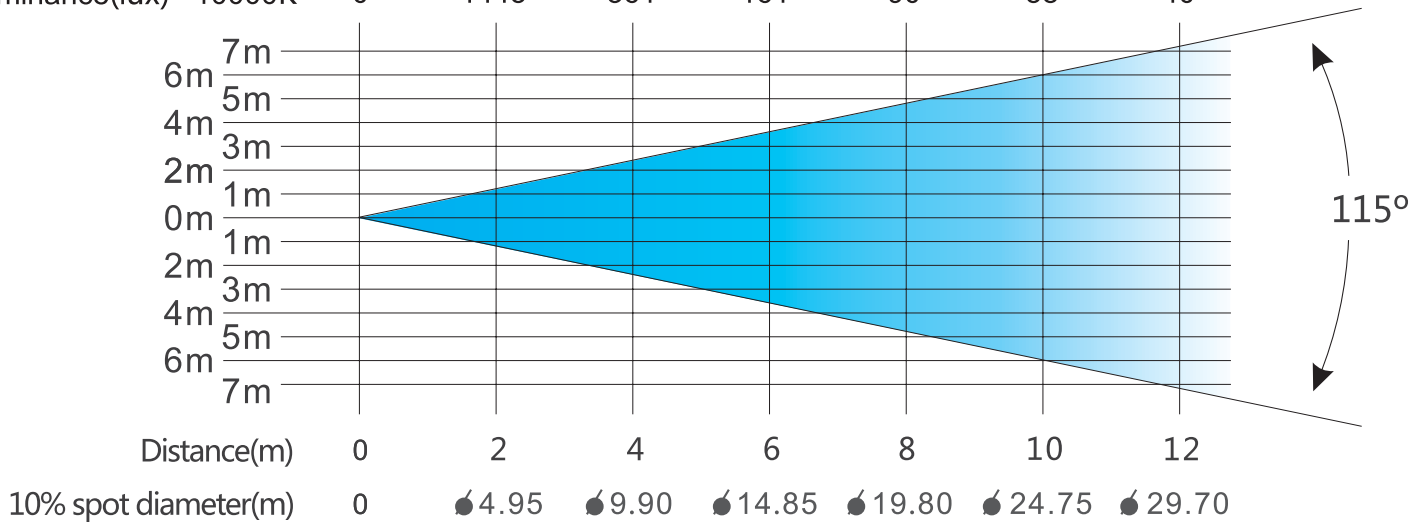
Pan Spot

2800K	0	1168	292	130	73	47	32
3200K	0	1207	302	134	75	48	34
5600K	0	1321	330	147	83	53	37
6500K	0	1349	337	150	84	54	37
Luminance(lux) 10000K	0	1445	361	161	90	58	40



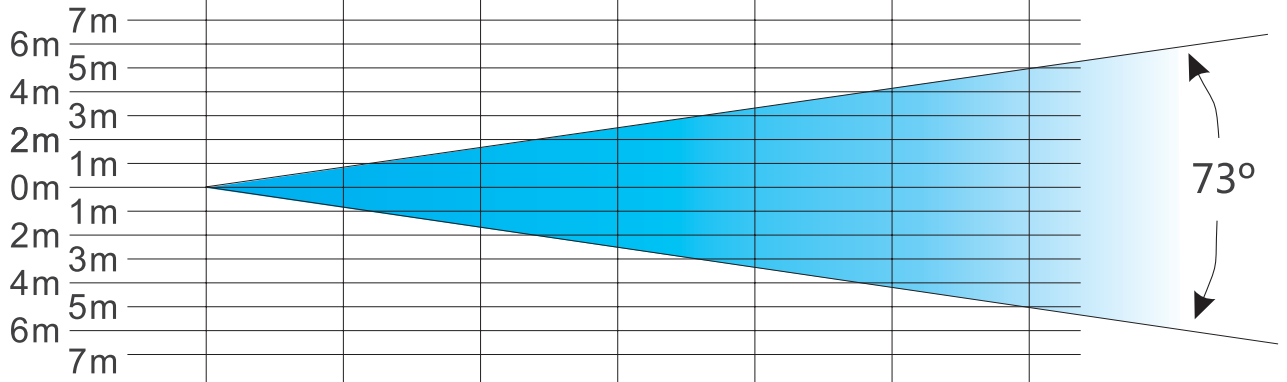
Tilt Spot

2800K	0	1168	292	130	73	47	32
3200K	0	1207	302	134	75	48	34
5600K	0	1321	330	147	83	53	37
6500K	0	1349	337	150	84	54	37
Luminance(lux) 10000K	0	1445	361	161	90	58	40



Pan Beam

	2800K	0	1168	292	130	73	47	32
	3200K	0	1207	302	134	75	48	34
	5600K	0	1321	330	147	83	53	37
	6500K	0	1349	337	150	84	54	37
Luminance(lux)	10000K	0	1445	361	161	90	58	40

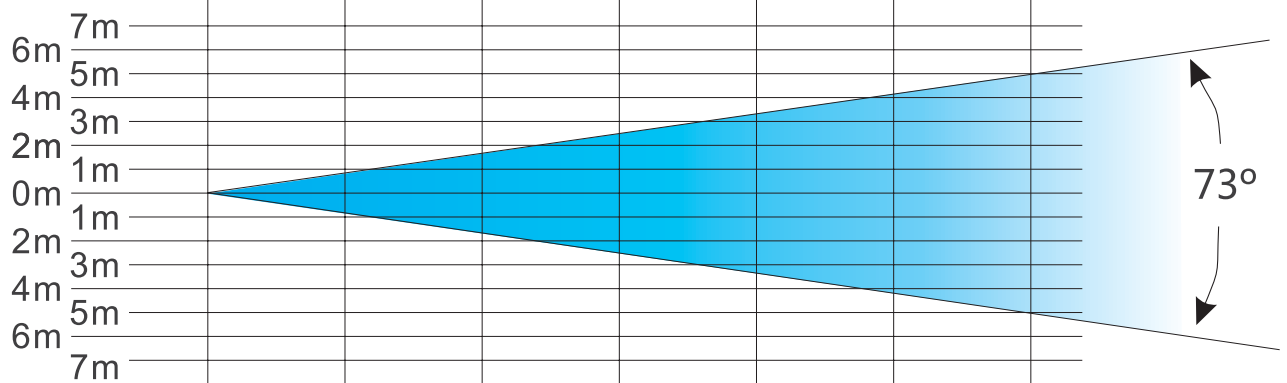


Distance(m) 0 2 4 6 8 10 12

50% beam diameter(m) 0 ● 2.40 ● 4.79 ● 7.19 ● 9.58 ● 11.98 ● 14.37

Tilt Beam

	2800K	0	1168	292	130	73	47	32
	3200K	0	1207	302	134	75	48	34
	5600K	0	1321	330	147	83	53	37
	6500K	0	1349	337	150	84	54	37
Luminance(lux)	10000K	0	1445	361	161	90	58	40

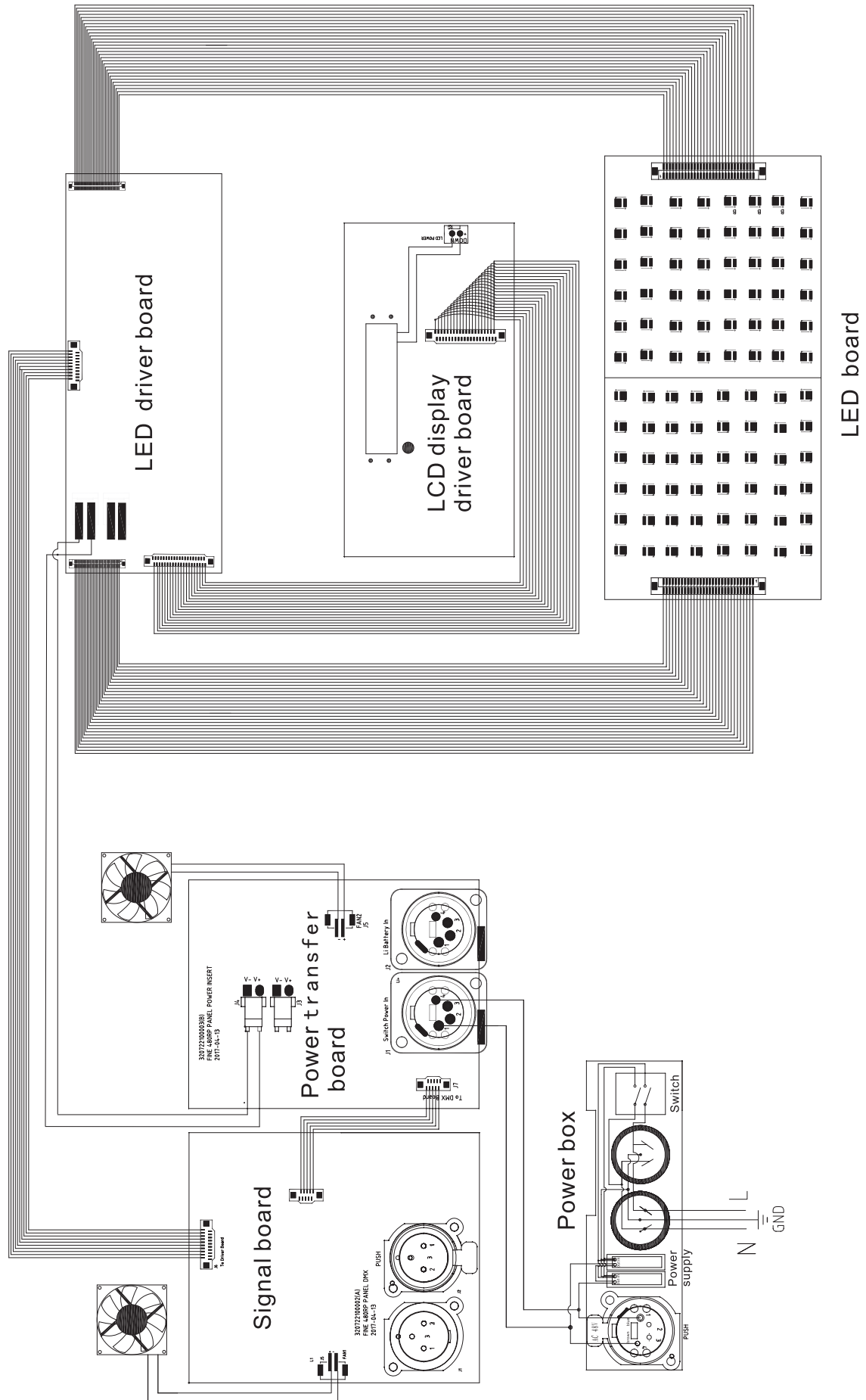


Distance(m) 0 2 4 6 8 10 12

50% beam diameter(m) 0 ● 2.32 ● 4.63 ● 6.95 ● 9.26 ● 11.58 ● 13.89

Attached 3: Wiring Diagram

FINE 480C PANEL



FINE 240C PANEL

